



Complete Sports Facility Solutions  
RMA Sport & Leisure Pty Ltd

## **Installation Instructions**

1. Dig a hole or drill holes if base plate selected
2. Insert pole or ground sleeve in hole (or bolt base plate to concrete with chem-sets if applicable)
3. Pour in cement as per manufacturer's instructions. Allow to cure as specified (not applicable for base plate systems).
4. If sleeve installed insert post
5. Attach projection arm. Bolt into place as required
6. Attach basketball backboard
7. Attach basketball ring
8. Attach basketball ring net
9. Adjust height as required

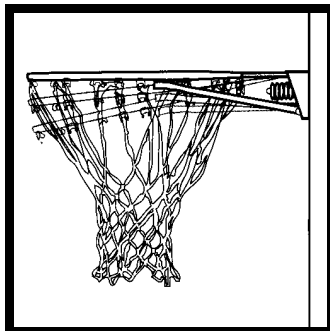
## **BB41095 INGROUND BASKETBALL SYSTEM**

The 110 cm <Impact> backboard is moulded from high-density polyethylene and is virtually indestructible!

The <Slam-it> ring features dual-compression springs providing spring-back action. Made from solid steel, this 16 mm ring is supported by 12.5 mm braces. Welded steel net hooks do not require replacement.

The patented <Quick Adjust> mechanism allows you to raise or lower the ring height from 2.25 m to 3 m in 150 mm increments using a broomstick. Players of any age or skill can enjoy the game at their level.

The 87.5 mm inground pole features a patented friction-weld joint that safeguards against unwanted movement. The pole is protected with a weather resistant powder-coating.

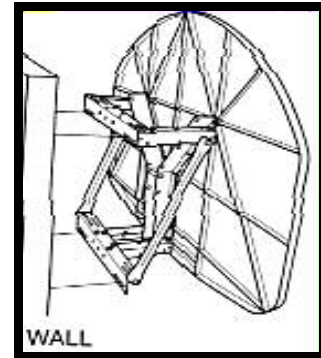
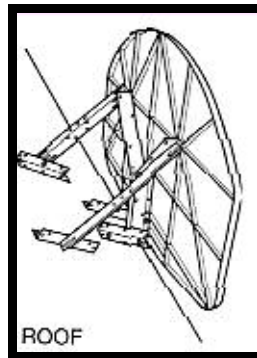
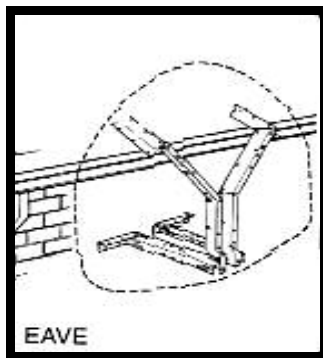


## **BB9596 GALVANISED UNIVERSAL BRACKET**

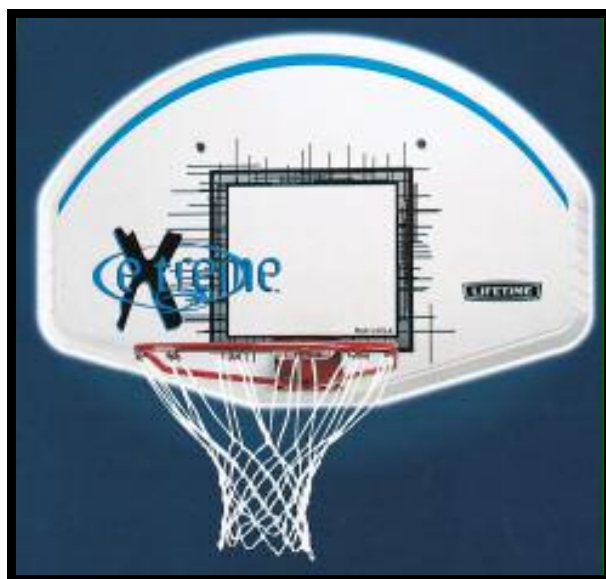
- Adjusts to all common backboards
- Corrosion resistant
- Attaches to roof, walls or eaves

The universal extension bracket is engineered to fit most common backboards and provide a sound foundation when mounting to a wall, roof, or eaves. Made of maintenance free galvanized steel parts, the universal mounting bracket has a versatile frame to accommodate any roof pitch.

**IMPORTANT:** Please consult engineers prior to attaching universal bracket and backboard to any structure. Severe injury and deaths have resulted from installations on inappropriate structures.



## **BB3243 COMBINATION BACKBOARD AND RING**



This 110 cm <Impact> backboard is virtually indestructible, moulded from high-density polyethylene designed to withstand the elements.

The graphics are screen printed with UV-protected inks, offering fade-resistant colour. The <Slam-it> ring features dual compression springs providing spring-back action. Made from solid steel, this 16 mm ring is supported by 12.5 mm braces. Welded steel net hooks do not require replacement. The <Slam-it> ring is built for aggressive play!

## **BB740 Basketball Tower**

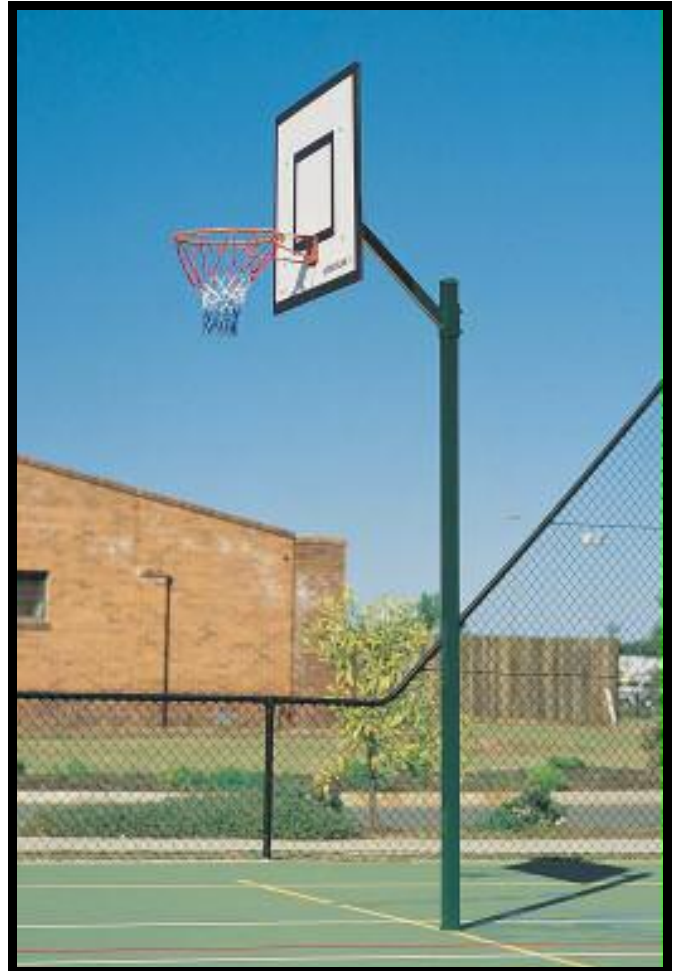
This heavy duty domestic basketball tower is fully manufactured in Australia using only heavy duty materials.

The system features a fully galvanised one piece 65 mm square steel upright for strength, and is fully height adjustable simply by releasing the tension screws on the back of the projection arm bracket.

The tower comes complete with a standard 1200 x 900 mm outdoor wooden backboard and a 12 hook double strutted practice ring.

The post can be installed in a ground sleeve to make it removable.

All towers come complete with a powder coated finish in standard black. Other colours are available on request.



### **Also Available:**

BB741 – As above with base plate to bolt to concrete footing

BB742 – As above but with acrylic fan shape backboard



## **BB746 Basketball Tower**



This extra heavy duty domestic basketball tower is fully manufactured in Australia using only heavy duty materials, and is designed for rugged home use.

The system features an extra strength fully galvanized one piece 76 mm round steel upright for strength. Universal height adjustment is available by releasing the tension on the U-clamps on the upright post, and moving the backboard to the desired position.

The tower comes complete with a durable half size fibreglass fan shape backboard and a 16 mm double strutted ring.

All towers come complete with a powder coated finish in standard black. Other colours are available on request.

## **BB750 Basketball Tower**

This deluxe height adjustable basketball tower is designed for the keen home court, or primary school use.

Designed for permanent in ground installation, the backboard can be height adjusted in only seconds.

The tower features heavy duty galvanised steel construction, including a 75 mm square central post.

This tower is supplied with a half size rectangular or fan shape backboard, 12 hook 16 mm steel ring and a powder coated finish.

